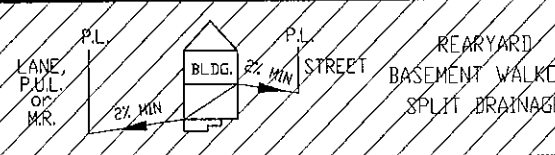
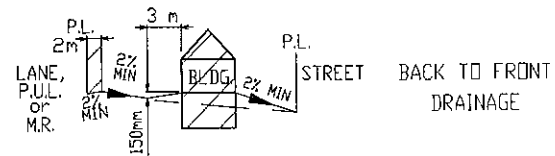


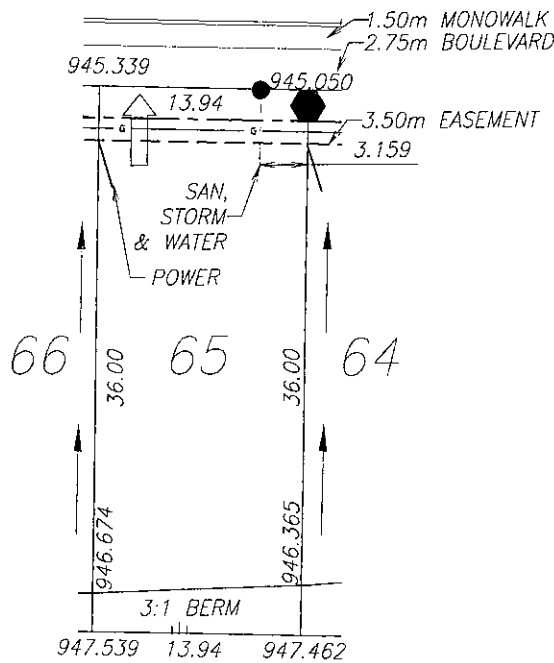
BUILDING GRADE CERTIFICATE

Town of Innisfail
 Issued by: _____
 No. _____

1. WHEN EXCAVATING IN A RIGHT OF WAY (EASEMENT), CHECK FOR UTILITIES.
2. STANDING AT THE WATER SHUTOFF AND FACING THE BUILDING, THE SANITARY SERVICE (PAINTED RED) IS ON THE LEFT SIDE OF THE WATER SERVICE; STORM SERVICE (PAINTED GREEN) IS ON THE RIGHT SIDE OF THE WATER SERVICE.
3. ALL DIMENSIONS ARE IN METRES AND DECIMALS THERE OF. THE ELEVATIONS ARE IN METRES ABOVE GEODETIC MEAN SEA LEVEL.
4. ELEVATIONS NOTED ON THE CERTIFICATE ARE WITHIN 100mm OF ACTUAL.
5. THE BUILDER MUST CONSTRUCT WITHIN 100mm OF THE DESIGN LANDSCAPE ELEVATION & ILLUSTRATED DRAINAGE PATTERNS UNLESS OTHERWISE APPROVED BY THE DEVELOPMENT OFFICER.
6. IF THE INFORMATION ON THIS CERTIFICATE HAS BEEN PREPARED BY A PRIVATE DEVELOPER OR THEIR AGENT, THE TOWN OF INNISFAIL ACCEPTS NO RESPONSIBILITY FOR ITS ACCURACY.



MAPLE CRESCENT



LEGEND

- SAN, WATER & STORM
- ⊙ FIRE HYDRANT
- - - GAS
- POWER, TELEPHONE & CABLE SERVICE
- - - ELECTRICAL/COMMUNICATION LINE
- STREET LIGHT
- ⊠ COMMUNITY MAILBOX
- TRANSFORMER/ 3 PARTY JOINT PEDESTAL
- ⇨ DRIVEWAY

POWER SERVICE LOCATION IS 1.0m FROM P/L AND 4.6m IN FROM P/L.
 SANITARY, STORM & WATER SERVICE LOCATION IS AS SHOWN.

TOP OF FOOTING:
 MAX. DEPTH BELOW AVERAGE SIDEWALK = 2.11
 LOWEST ELEVATION = 943.08

AS-BUILT SEWER INVERT ELEVATIONS:
 SANITARY AT 5.0m INSIDE LOT = 942.23
 STORM AT 5.0m INSIDE LOT = 942.96

CIVIC ADDRESS: 5817 MAPLE CRESCENT
 LOT: 65 BLOCK: 7 PLAN No.: 082 3499
 DEVELOPER: MALIBU COMMUNITIES SCALE: 1:500
 DRAWN BY: STANTEC CONSULTING LTD DATE: MAY 6, 2010
 APPROVED BY: BRAD CURRIE, P.ENG DATE: MAY 6, 2010
 RECEIVED BY: _____ DATE: _____

DESIGN LANDSCAPE ELEVATIONS
 ELEV. AT FRONT OF HOUSE = 945.84
 ELEV. AT REAR OF HOUSE = 942.34

I CERTIFY THAT THE FINAL LANDSCAPE GRADE WILL BE (FRONT) _____
 (REAR) _____
 SIGNATURE OF OWNER OR REPRESENTATIVE _____