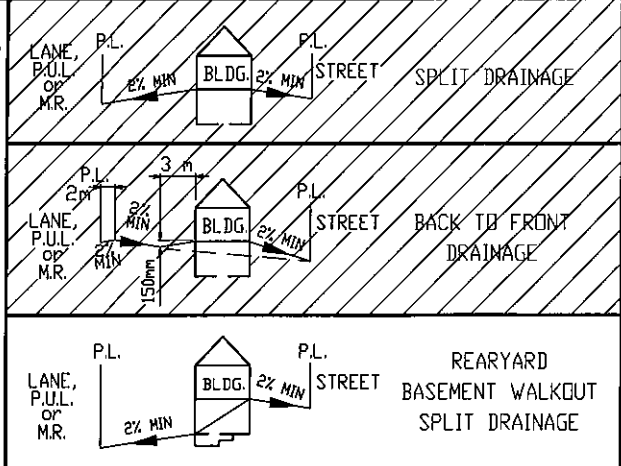


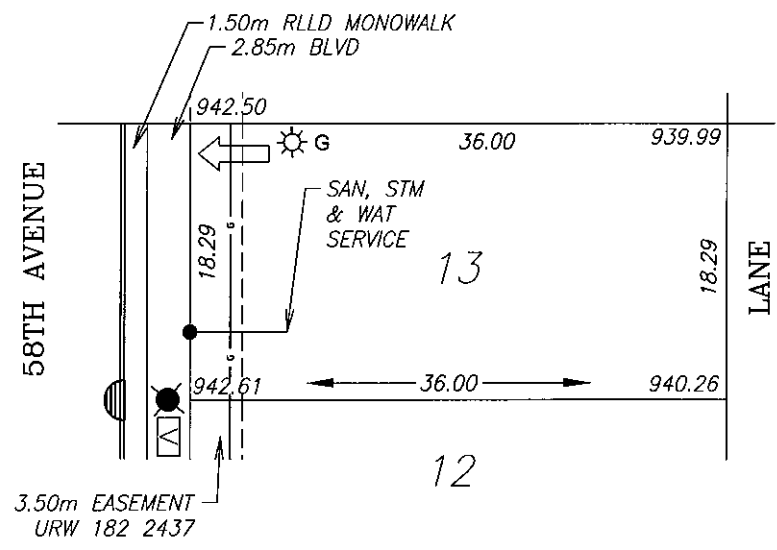
BUILDING GRADE CERTIFICATE

Town of Innisfail
 Issued by: No.

1. WHEN EXCAVATING IN A RIGHT OF WAY (EASEMENT), CHECK FOR UTILITIES.
2. STANDING AT THE WATER SHUTOFF AND FACING THE BUILDING, THE SANITARY SERVICE (PAINTED RED) IS ON THE RIGHT SIDE OF THE WATER SERVICE; STORM SERVICE (PAINTED GREEN) IS ON THE LEFT SIDE OF THE WATER SERVICE.
3. ALL DIMENSIONS ARE IN METRES AND DECIMALS THERE OF. THE ELEVATIONS ARE IN METRES ABOVE GEODETIC MEAN SEA LEVEL.
4. ELEVATIONS NOTED ON THE CERTIFICATE ARE WITHIN 100mm OF ACTUAL.
5. THE BUILDER MUST CONSTRUCT WITHIN 100mm OF THE DESIGN LANDSCAPE ELEVATION & ILLUSTRATED DRAINAGE PATTERNS UNLESS OTHERWISE APPROVED BY THE DEVELOPMENT OFFICER.
6. IF THE INFORMATION ON THIS CERTIFICATE HAS BEEN PREPARED BY A PRIVATE DEVELOPER OR THEIR AGENT, THE TOWN OF INNISFAIL ACCEPTS NO RESPONSIBILITY FOR ITS ACCURACY.



- LEGEND**
- SAN, STM & WATER
 - ⊙ FIRE HYDRANT
 - ⊖ CATCH BASIN
 - o- GAS
 - ☀ POWER, TELEPHONE & CABLE SERVICE
 - ⊙ STREET LIGHT
 - ⊠ COMMUNITY MAILBOX
 - TRANSFORMER
 - ▲ PEDESTAL
 - G GAS SERVICE
 - ➡ DRIVEWAY
 - VAULT



GAS SERVICE LOCATION IS 0.7m FROM SIDEYARD LOTLINE
 POWER SERVICE LOCATION IS 1.00m FROM SIDEYARD LOTLINE
 SANITARY, STORM AND WATER SERVICE LOCATION IS 4.50m FROM SIDEYARD LOTLINE
 SHALLOW STORM SERVICE IS REQUIRED

BEARING CERTIFICATE REQUIRED

TOP OF FOOTING: MAX. DEPTH BELOW AVERAGE SIDEWALK = <u>1.67</u> LOWEST ELEVATION = <u>940.89</u>
AS-BUILT SEWER INVERT ELEVATIONS: SANITARY AT 6.5m INSIDE LOT = <u>940.04</u> STORM AT 6.5m INSIDE LOT = <u>941.16</u>

CIVIC ADDRESS: <u>6700 58TH AVENUE</u>
LOT: <u>13</u> BLOCK: <u>10</u> PLAN No.: <u>182 2436</u>
DEVELOPER: <u>HAZELWOOD ESTATES INC.</u> SCALE: <u>1:500</u>
DRAWN BY: <u>STANTEC CONSULTING LTD.</u> DATE: <u>SEP 24, 2018</u>
APPROVED BY: <u>TRAVIS FILLIER, P.ENG</u> DATE: <u>SEP 24, 2018</u>
RECEIVED BY: _____ DATE: _____

DESIGN LANDSCAPE ELEVATIONS ELEV. AT FRONT OF HOUSE = <u>942.91</u> ELEV. AT REAR OF HOUSE = <u>940.56</u>
--

I CERTIFY THAT THE FINAL LANDSCAPE GRADE WILL BE (FRONT) _____
 (REAR) _____
 SIGNATURE OF OWNER OR REPRESENTATIVE _____